

AMORPHICON - P1 / G1





AMORPHICON - P1 / G1





AMORPHICON - P1 / G1



EN

Amorphicon-P1/G1 (LED)

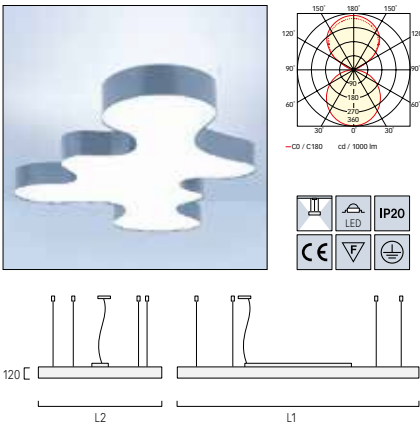
- Pendant luminaire
- Optional: Direct light distribution or direct-/ indirect light distribution with topside dust cover
- Opal diffuser made of frosted methacrylate for enhanced light transmission and uniform illumination
- Luminaire frame made of aluminum, finishes: white (RAL9003) or silver (RAL9006) coated
- Direct version: One-step switched or 1-10V dimmable, Direct/indirect version: Separately switched or 1-10V dimmable/switched together
- Evenly spaced premium LEDs provide uniform illumination combined with highest efficacy standards. Variation of forms and dimensions to meet a wide range of demands
- Parallel suspension continuously adjustable in height with matching white or silver canopy and transparent power-supply cable
- Standard color temperature: 3000K, 3500K or 4000K
- CRI>80
- On request: Wide range of special color temperatures (2700K-6500K), special surface colors, CRI>90
- 5-year warranty on all electrical parts. 80% of initial light output for 50,000 hours
- Direct access to integral drivers and LED circuit boards ensures hassle-free installation and maintenance

ES

Amorphicon-P1/G1 (LED)

- Luminaria de suspensión
- Opcional: distribución de luz directa o distribución de luz directa/indirecta con cubierta protectora superior
- Difusor opalino de metacrilato satinado para transmisión optimizada de luz e iluminación uniforme
- Marco de luminaria hecho de aluminio, acabados: blanco (RAL9003) o plata (RAL9006) lacada
- Versión directa: tipo one-step switch o atenuable de 1-10V, Versión directa/indirecta : dos cámaras para el control independiente de la luz directa/indirecta o atenuable simultánea de 1-10V
- LEDs de primera calidad alineado uniformemente generan líneas de luz continuas y homogéneas. Diversidad de formas y dimensiones para cubrir una gran variedad de necesidades
- Suspensión de soportes paralelos con alturas ajustables continuas y con tapa revestido en polvo blanco o plata y con cable alimentador transparente
- Temperatura de color estándar: 3000K, 3500K or 4000K
- CRI>80
- Previa pedido: amplia gama de temperaturas especiales de color (2700K-6500K), colores para superficies especiales, CRI>90
- Garantía de 5 años. 80% de potencia luminosa inicial de 50.000 horas
- Acceso directo a balastros integrados y placas de circuito de LED asegura la instalación sencilla y mantenimiento

AMORPHICON-P1/DIRECT-INDIRECT

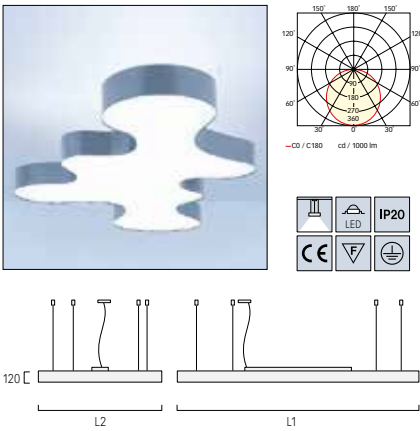


| L1 [in] | L2 [in] | L1 [mm] | L2 [mm] | LUMEN/WATT @ 4000K* | ART-NR. CODE | ART-NR. CODE | KG | lbs |
|----------|----------|---------|---------|---------------------|----------------------|----------------------|------|------|
| | | | | | SILVER | WHITE | | |
| Form 1 | | | | | | | | |
| 63" | 31 1/2" | 1600 | 800 | 14100lm/168W | 11-HP10SE-###M-A1600 | 11-HP10WE-###M-A1600 | 16,4 | 36,2 |
| 98 7/16" | 51 3/16" | 2500 | 1300 | 35000lm/411W | 11-HP10SE-###M-A2500 | 11-HP10WE-###M-A2500 | 25,0 | 55,1 |
| Form 2 | | | | | | | | |
| 59 1/16" | 59 1/16" | 1500 | 1500 | 27600lm/326W | 11-HP20SE-###M-A1500 | 11-HP20WE-###M-A1500 | 18,0 | 39,7 |
| Form 3 | | | | | | | | |
| 70 7/8" | 47 1/4" | 1800 | 1200 | 26000lm/306W | 11-HP30SE-###M-A1800 | 11-HP30WE-###M-A1800 | 20,5 | 45,2 |

*Luminaire luminous flux & power consumption at 4000K

| | |
|---------------------------|------------------------------------|
| CONTROL | E: NON DIMMABLE, D: DIM 1-10V |
| LED COLOR TEMPERATURE ### | 830: 3000K, 835: 3500K, 840: 4000K |

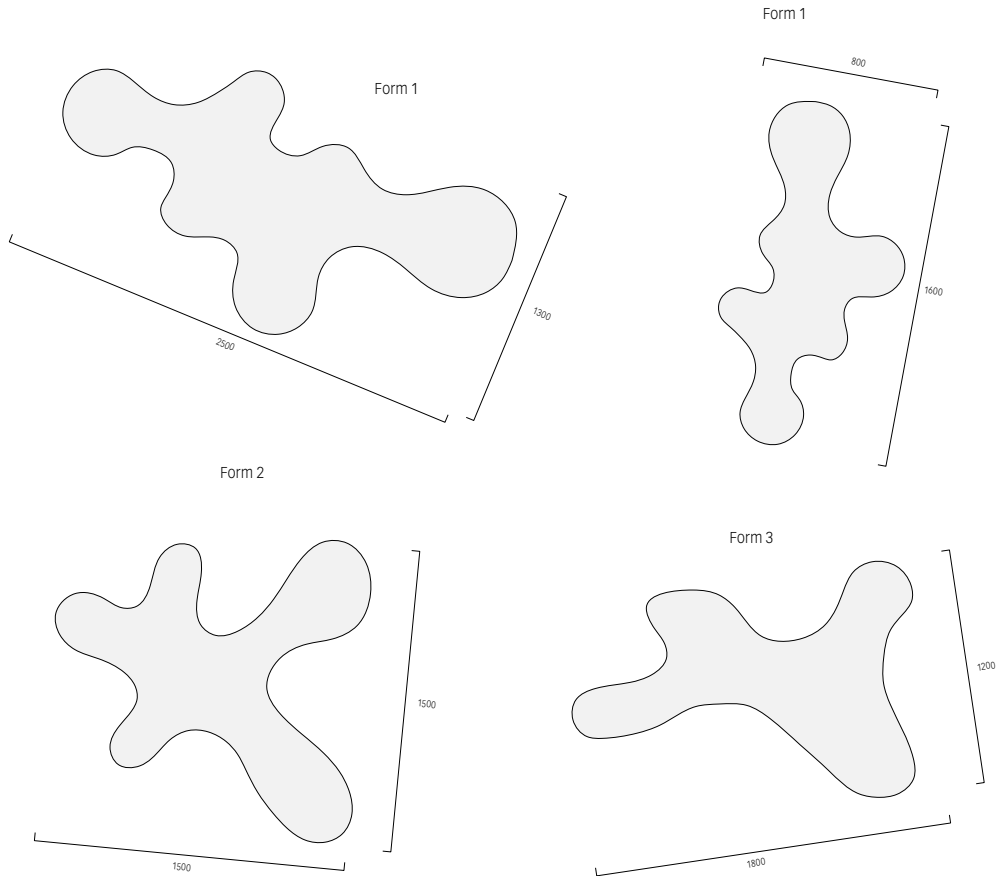
AMORPHICON-G1/DIRECT



| L1 [in] | L2 [in] | L1 [mm] | L2 [mm] | LUMEN/WATT @ 4000K* | ART-NR. CODE | ART-NR. CODE | KG | lbs |
|----------|----------|---------|---------|---------------------|----------------------|----------------------|------|------|
| | | | | | SILVER | WHITE | | |
| Form 1 | | | | | | | | |
| 63" | 31 1/2" | 1600 | 800 | 9000lm/108W | 11-HG10SE-###M-A1600 | 11-HG10WE-###M-A1600 | 16,4 | 36,2 |
| 98 7/16" | 51 3/16" | 2500 | 1300 | 21400lm/253W | 11-HG10SE-###M-A2500 | 11-HG10WE-###M-A2500 | 25,0 | 55,1 |
| Form 2 | | | | | | | | |
| 59 1/16" | 59 1/16" | 1500 | 1500 | 17000lm/204W | 11-HG20SE-###M-A1500 | 11-HG20WE-###M-A1500 | 18,0 | 39,7 |
| Form 3 | | | | | | | | |
| 70 7/8" | 47 1/4" | 1800 | 1200 | 16200lm/191W | 11-HG30SE-###M-A1800 | 11-HG30WE-###M-A1800 | 20,5 | 45,2 |

*Luminaire luminous flux & power consumption at 4000K

| | |
|---------------------------|------------------------------------|
| CONTROL | E: NON DIMMABLE, D: DIM 1-10V |
| LED COLOR TEMPERATURE ### | 830: 3000K, 835: 3500K, 840: 4000K |



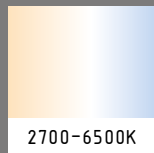
Further Product Options:



Dimmable Versions



Alternative surfaces



LED Color Temperature

SKIALIGHT

